

SWAN QUAD

PIR MOTION DETECTOR With PET IMMUNITY up to 25 kg

PRODUCT FEATURES

The SWAN QUAD detector uses a special designed optical Lens with unique Quad (Four element) PIR Sensor and new ASIC based electronics optimized to eliminate false alarms, caused by small animals and Pets.

The SWAN QUAD provides unprecedented levels of immunity against visible light.

The Detector offers an exceptional level of detection capability and stability for every security installation.

The SWAN QUAD is supplied with a Wide Angle lens.

- Quad Linear Imaging Technology for sharp analysis of body dimensions and differentiation from background and animals.
- ASIC based electronics.
- Immunity to animals up to 25kg.
- 18m Detection Range with Wide Angle Lens.
- Temperature compensation.
- Compact Design for Residential Installation.
- Variable pulse width adjustment.
- Sensitivity adjustment.
- Environmental immunity.
- Height installation calibration free (1.8m – 2.4m).
- LED Remote function.

SELECT MOUNTING LOCATION

Choose a location most likely to intercept an intruder. (Our recommendation is a corner installation). See detection pattern fig.3. The quad-element high quality sensor detects motion crossing the beam; it is slightly less sensitive detecting motion toward the detector. The SWAN quad performs best when provided with a constant and stable environment and background. AVOID THE FOLLOWING LOCATIONS

- Facing direct sunlight.
- Facing areas that may change temperature rapidly.
- Areas where there are air ducts or substantial airflows.

WIRE SIZE REQUIREMENTS

Use #22 AWG (0.5 mm) or wires with a larger diameter. Use the following table to determine the required wire gauge (diameter) depending on the length of wire between the detector and the control panel.

| | | | | | |
|---------------|-----|-----|------|------|------|
| Wire Length | m | 200 | 300 | 400 | 800 |
| Wire Diameter | mm | .5 | .75 | 1.0 | 1.5 |
| Wire Length | ft. | 800 | 1200 | 2000 | 3400 |
| Wire Gauge | # | 22 | 20 | 18 | 16 |

DETECTOR INSTALLATION

The detector can either be wall or corner mounted. If ceiling or special wall mounting is required, use the optional bracket base. Refer to bracket description. (See fig. 6).

1. To remove the front cover, unscrew the holding screw and gently raise the front cover.

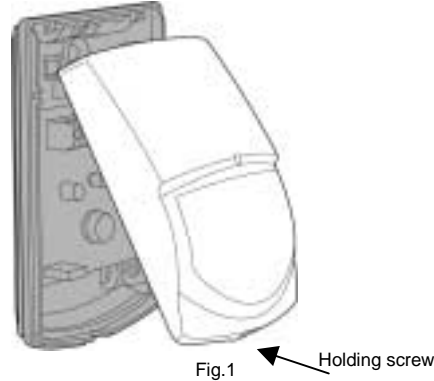


Fig.1 Holding screw

2. To remove the PC board, carefully unscrew the holding screw located on the PC board.
3. Break out the desired holes for proper installation.

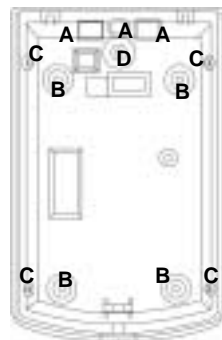
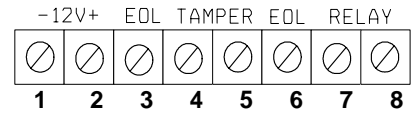


Fig.2

4. The circular and rectangular indentations at the bottom base are the knockout holes for wire entry. You may also use mounting holes that are not in use for running the wiring into the detector. (For Bracket option - lead wire through the bracket)
5. Mount the detector base to the wall, corner or ceiling. (For bracket installation option see fig. 6).
6. Reinstall the PC board by fully tightening the holding screw. Connect wire to terminal block.
7. Replace the cover by inserting it back in the appropriate closing pins and screw in the holding screw.

DETECTOR CONNECTION



Terminal 1 - Marked " - " (GND)

Connect to the negative Voltage Supply or ground of the control panel.

Terminal 2 - Marked " + " (+12V)

Connect to a positive Voltage Supply of 8.2 -16Vdc source (usually from the alarm control unit)

Terminals 3 & 6 - Marked " EOL " – End of line option.

Terminals 4 & 5 - Marked " TAMPER "

If a Tamper function is required connect these terminals to a 24-hour normally closed protective zone in the control unit. If the front cover of the detector is opened, an immediate alarm signal will be sent to the control unit.

Terminals 7 & 8 - Marked " RELAY "

These are the output relay contacts of the detector. Connect to a normally closed zone in the control panel.

TESTING THE DETECTOR

Wait one minute after applying 12 Vdc power for warm up time. Conduct testing with the protected area cleared of all people.

Walk test

1. Remove front cover.
2. Set LED to ON position.
3. Reassemble the front cover.
4. Start walking slowly across the detection zone.
5. Observe that the LED lights whenever motion is detected.
6. Allow 5 sec. between each test for the detector to stabilize.
7. After the walk test is completed, you can set the LED to OFF position.

NOTE:

Walk tests should be conducted, at least once a year, to confirm proper operation and coverage of the detector.

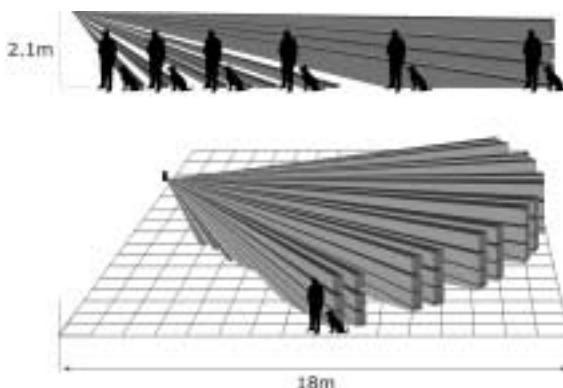


Fig.3



Fig.4

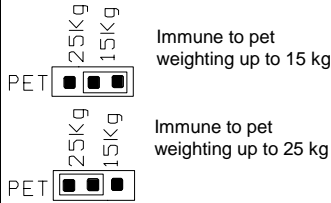
SWAN QUAD

PIR MOTION DETECTOR With PET IMMUNITY up to 25 kg

SETTING UP THE DETECTOR

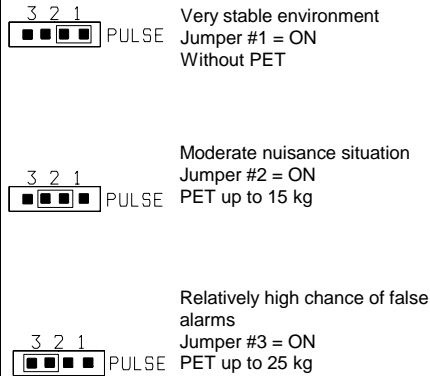
PET IMMUNITY JUMPER SETTING

This jumper is used for setting the PET Immune function - up to 15kg or 25kg, depending on the pet size.



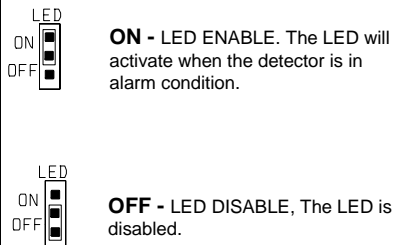
PULSE WIDTH JUMPER SETTING

This jumper is used for setting the PULSE count function in order to provide PIR sensitivity control according to the environment.



LED ENABLE JUMPER SETTING

This jumper is used for setting - LED Enable / Disable.



Note: The LED Switch does not affect the operation of the relay. When an intrusion is detected, the LED will activate and the alarm relay will switch into alarm condition for 2 sec.

PIR SENSITIVITY ADJUSTMENT

Use the Potentiometer marked "SENS" to adjust the detection sensitivity between 15% and 100%, according to walk test in the protected area. (Factory set to 57%)
Rotate the potentiometer clockwise to increase range, counter-clockwise to decrease range.

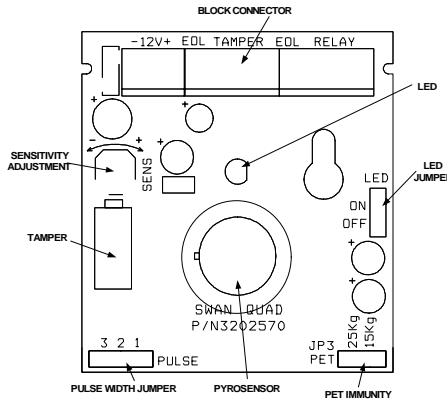


Fig.5

BRACKET INSTALLATION OPTION

Ceiling bracket base Wall bracket base

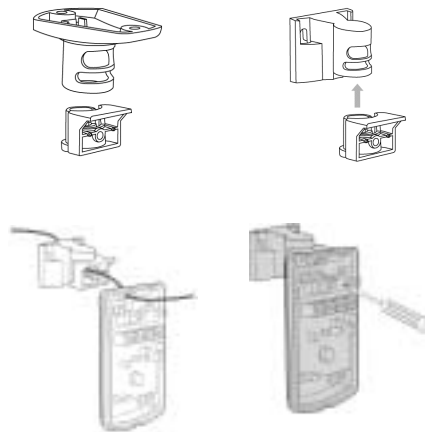


Fig. 6

TECHNICAL SPECIFICATION

| | |
|---------------------------------|--|
| MODEL | SWAN QUAD |
| Detection Method | Quad (Four element) PIR |
| Power Input | 8.2 to 16 VDC |
| Current Draw | Standby: 8mA (± 5%) Active: 10mA (± 5%) |
| Temperature Compensation | YES |
| Pulse Width | Adjustable |
| Alarm Period | 2 sec (± 0.5sec) |
| Alarm Output | N.C 28VDC 0.1 A with 270 Ohm series protection resistor |
| Tamper Switch | N.C 28VDC 0.1A with 10 Ohm series protection resistor - open when cover is removed |
| Warm Up Period | 60sec (± 5sec) |
| LED Indicator | LED is ON during alarm |
| Operating Temperature | -20°C to +60°C |
| RFI Protection | 30V/m 10 - 1000MHz |
| EMI Protection | 50,000V of electrical interference from lightning or power through |
| Dimensions | 92mm x 59mm x 37mm |
| Weight | 40gr |



CROW ELECTRONIC ENGINEERING LTD. ("Crow") - WARRANTY POLICY CERTIFICATE

This Warranty Certificate is given in favor of the purchaser (hereunder the "Purchaser") purchasing the products directly from Crow or from its authorized distributor.

Crow warrants these products to be free from defects in materials and workmanship under normal use and service for a period of 1 year from the last day of the week and year whose numbers are printed on the printed circuit board inside these products (hereunder the "Warranty Period").

Subject to the provisions of this Warranty Certificate, during the Warranty Period, Crow undertakes, at its sole discretion and subject to Crow's procedures, as such procedures are from time to time, to repair or replace, free of charge for materials and/or labor, products proved to be defective in materials or workmanship under normal use and service. Repaired products shall be warranted for the remainder of the original Warranty Period.

All transportation costs and in-transit risk of loss or damage related, directly or indirectly, to products returned to Crow for repair or replacement shall be borne solely by the Purchaser.

Crow's warranty under this Warranty Certificate does not cover products that is defective (or shall become defective) due to: (a) alteration of the products (or any part thereof) by anyone other than Crow; (b) accident, abuse, negligence, or improper maintenance; (c) failure caused by a product which Crow did not provide; (d) failure caused by software or hardware which Crow did not provide; (e) use or storage other than in accordance with Crow's specified operating and storage instructions.

There are no warranties, expressed or implied, of merchantability or fitness of the products for a particular purpose or otherwise, which extend beyond the description on the face hereof.

This limited Warranty Certificate is the Purchaser's sole and exclusive remedy against Crow and Crow's sole and exclusive liability toward the Purchaser in connection with the products, including without limitation - for defects or malfunctions of the products. This Warranty Certificate replaces all other warranties and liabilities, whether oral, written, (non-mandatory) statutory, contractual, in tort or otherwise.

In no case shall Crow be liable to anyone for any consequential or incidental damages (inclusive of loss of profit, and whether occasioned by negligence of the Crow or any third party on its behalf) for breach of this or any other warranty, expressed or implied, or upon any other basis of liability whatsoever. Crow does not represent that these products can not be compromised or circumvented; that these products will prevent any person injury or property loss or damage by burglary, robbery, fire or otherwise; or that these products will in all cases provide adequate warning or protection.

Purchaser understands that a properly installed and maintained product may in some cases reduce the risk of burglary, fire, robbery or other events occurring without providing an alarm, but it is not insurance or a guarantee that such will not occur or that there will be no personal injury or property loss or damage as a result. Consequently, Crow shall have no liability for any personal injury, property damage or any other loss based on claim that these products failed to give any warning. If Crow is held liable, whether directly or indirectly, for any loss or damage with regards to these products, regardless of cause or origin, Crow's maximum liability shall not in any case exceed the purchase price of these products, which shall be the complete and exclusive remedy against Crow.

CROW ELECTRONIC ENGINEERING LTD.

ISRAEL: 57 Hamelacha St., Holon, 58855
Tel: 972-3-556937 / 8 / 9
Fax: 972-3-5592981
E-mail: support@crow.co.il

USA: 2160 North Central Road,
Fort Lee, N.J. 07024
Tel: 1-800-GET CROW
or (201) 944 0005
Fax: (201) 944 1199
E-mail: support@crowusa.com

AUSTRALIA: 429 Nepean HWY Brighton East Vic 3187
Tel: 61-3-9596 7222
Fax: 61-3-9596 0888
E-mail: crow@crowaust.com.au

POLAND: VIDICON SP. ZO. O.
15 Povazkowska St.
01 - 797 Warsaw Poland
Tel: 48 22 562 3000
Fax: 48 22 562 3000
E-mail: vidicon@vidicon.pl

LATIN AMERICA: CROW LATIN AMERICA
5753 NW 151ST. Street
MIAMI LAKES,
FL 33014 - USA
Tel: +1-305-823-8700
Fax: +1-305-823-8711
E-mail: sales@crowlatinamerica.com

ITALY: DEATRONIC
VIA Giulianiello 4/14
00178 ROMA, ITALY
Tel: +39-0676-12912
Fax: +39-0676-12601
E-mail: info@deatronic.com

These instructions supersede all previous issues in circulation prior to October 2004.